

HYPERIKON® Corn Light Installation Guide



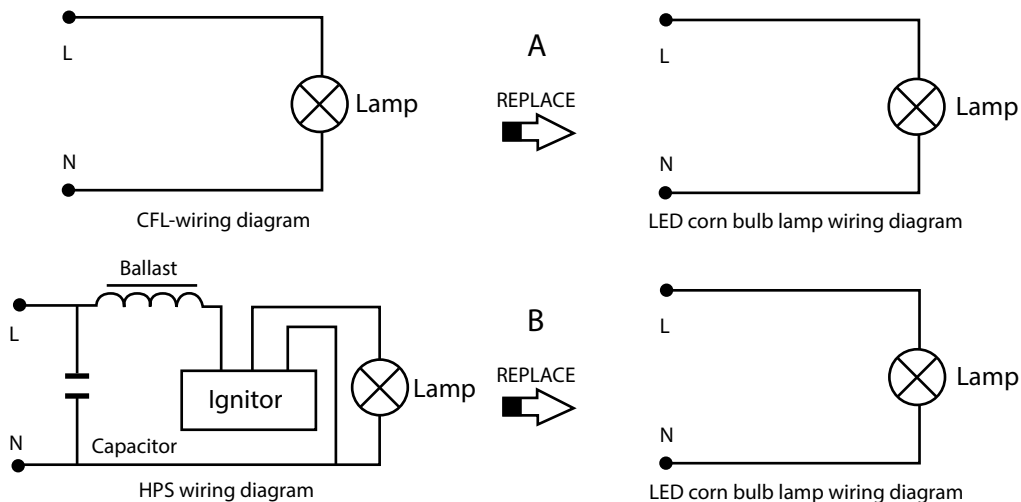
Installation Instructions

1. Turn off the circuit breaker and AC switch before working on the light fixture.
2. If necessary, remove the cover from the light fixture according to the manufacturer's instructions.
3. Carefully remove the old bulb and dispose of it according to federal, state, and local laws.
4. Ensure the light fixture is designed to accommodate a Corn Light.
5. Ensure that the fixture is not an emergency battery supplied fixture. If it is an emergency battery supplied fixture, disconnect the battery.
6. Remove the ballast, ignitor and capacitor according to the picture.
7. Install the Hyperikon Electric LED Corn Light in the light fixture. Ensure that the bulb is seated firmly.
8. Put the cover back on according to the manufacturer's instructions.
9. Turn on the circuit breaker and AC switch.
10. Turn on the ON / OFF switch to verify proper operation.

GROUND (Green) NEUTRAL (White) LINE (Black)



Remove or bypass ballast for proper operation.



Important Safety Notices

1. In order to perform installation, we recommend you contact a licensed electrician who will follow the NEC code, as well as local electrical codes.
2. Existing bulbs contain hazardous substances. Do not break them. Safety glasses and gloves are recommended.
3. Never attempt to disassemble the Hyperikon Electric Corn Light. The product has no serviceable parts inside.